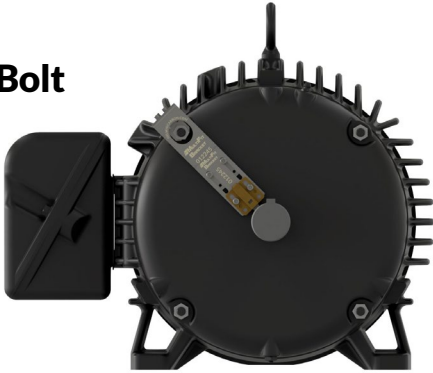


PREMIER MOUNTING VERSATILITY FOR HELWIG BPKs™

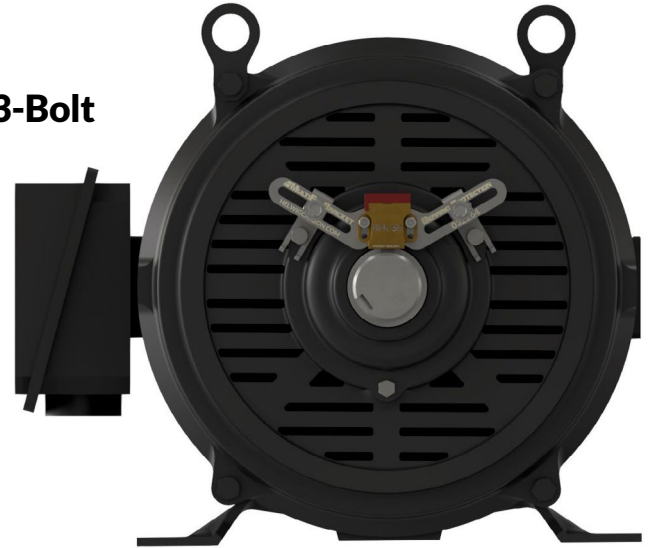
**1-Bolt**



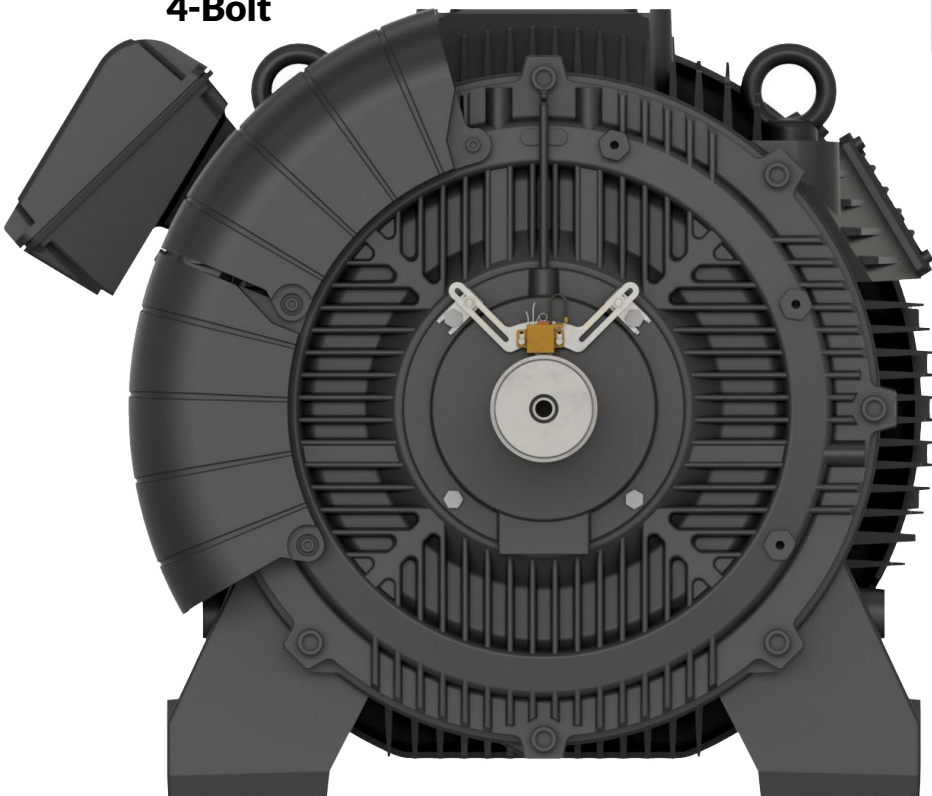
MultiFit Bracket  
Resources



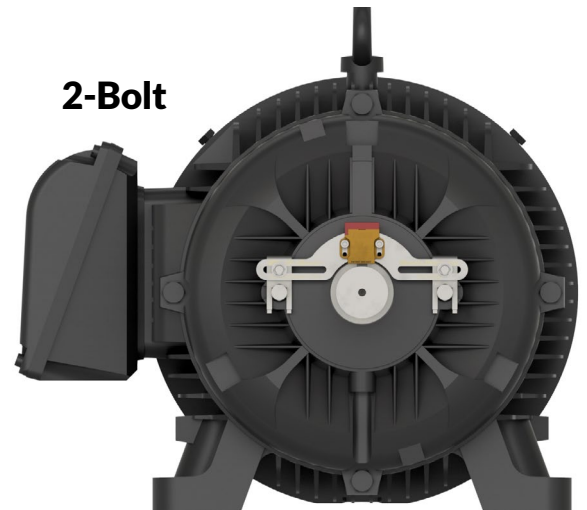
**3-Bolt**



**4-Bolt**



**2-Bolt**



■ IDEAL MOUNTING ACCESSORY FOR MOTOR SHOPS & FIELD INSTALLS

## KEY ADVANTAGES

- MultiFit Brackets provide a solid and adjustable base for mounting a Helwig BPK™ without drilling and tapping
- These brackets were designed with versatility in mind, catering to field installs, motor shops and harsh environments
- Installation in as little as 15 minutes



# STARTER PACK CONTENTS

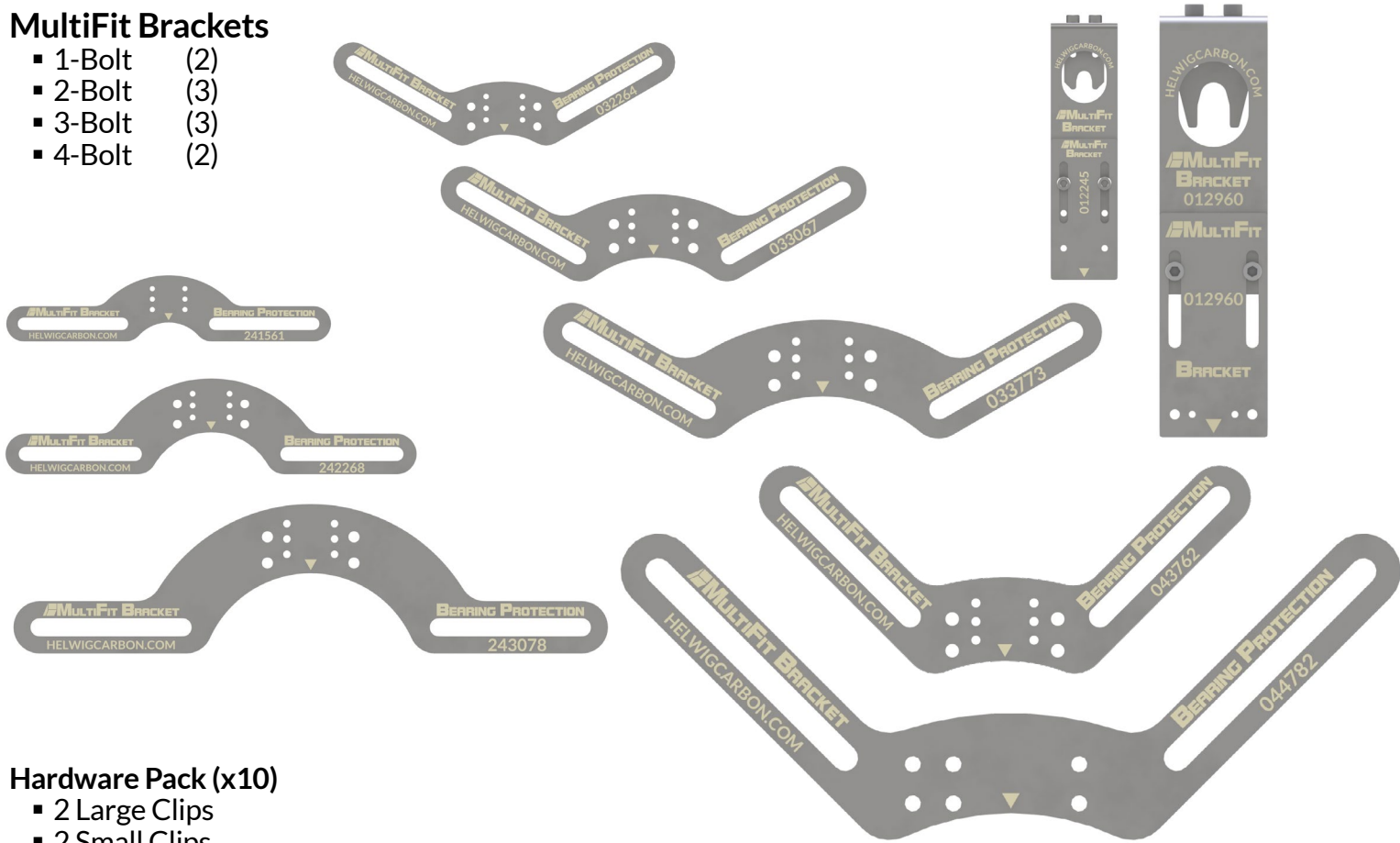
## Bearing Protection Kits™

- BPK-IM5 (3)
- BPK-SB (6)
- BPK-AM (1)



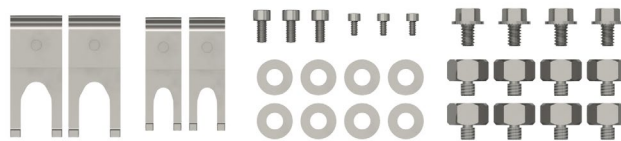
## MultiFit Brackets

- 1-Bolt (2)
- 2-Bolt (3)
- 3-Bolt (3)
- 4-Bolt (2)



## Hardware Pack (x10)

- 2 Large Clips
- 2 Small Clips
- 8 Stackable Standoffs
- 8 Washers
- 3 Screws 6-32 X 0.25
- 3 Screws 10-32 X 0.375



## ABOUT HELWIG CARBON

Helwig Carbon Products, Inc. is the premier, family-owned, American manufacturer of carbon brushes, brush holders, spring assemblies, bearing protection kits, metal graphite brushes, and mechanical carbons. Since 1928, we have forged innovations that have since become industry standards and requirements. We pride ourselves on manufacturing all of our products to the highest standard and performance because we know your application depends on it!



8900 West Tower Avenue | Milwaukee, WI 53224-2849  
 Toll Free: (800) 962-4851 | Phone: (414) 354-2411 | Fax: (800) 365-3113  
 Email: carboncrew@helwigcarbon.com



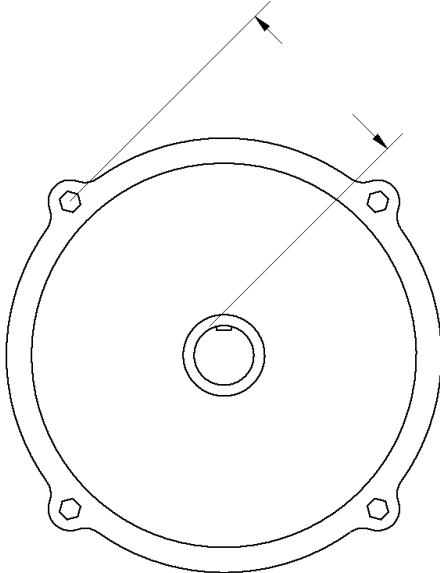
# MULTIFIT BRACKET STARTER PACK SELECTION GUIDE

Retaining Bolt Pattern (Bracket Part #)	Shaft Size Range (inch) (mm)	Bolt Distance Range (inch) (mm)	Recommended BPK
<b>1-Bolt</b> (012245)	0.5 - 2	2.5 - 4.6	BPK-IM5
	13 - 51	64 - 117	
<b>1-Bolt</b> (012960)	2.01 - 4.25	3.26 - 6	BPK-SB
	51 - 108	83 - 152	
<b>2-Bolt</b> (241561)	0.5 - 1.5	2 - 6.1	BPK-IM5
	13 - 38	51 - 155	
<b>2-Bolt</b> (242268)	1.25 - 2.25	2.85 - 6.8	BPK-SB
	32 - 57	72 - 173	
<b>2-Bolt</b> (243078)	2 - 3	3.75 - 7.8	BPK-SB
	51 - 76	95 - 198	
<b>3-Bolt</b> (032264)	1.25 - 2.25	2.9 - 6.4	BPK-IM5
	32 - 57	74 - 163	
<b>3-Bolt</b> (033067)	2 - 3	3.25 - 6.75	BPK-SB
	51 - 76	83 - 171	
<b>3-Bolt</b> (03773)	2.75 - 3.75	3.9 - 7.3	BPK-SB
	70 - 90	99 - 185	
<b>4-Bolt</b> (043762)	2.75 - 3.75	3.45 - 6.125	BPK-SB
	70 - 90	88 - 156	
<b>4-Bolt</b> (044782)	3.5 - 4.75	4.5 - 8.125	BPK-AM
	89 - 121	114 - 206	



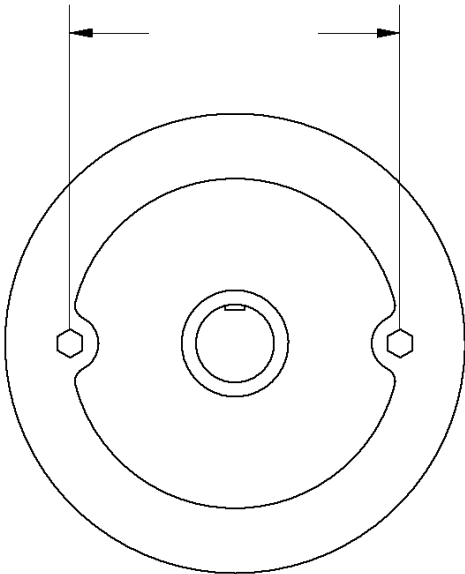
# 1-BOLT

BOLT CENTER TO SHAFT DISTANCE



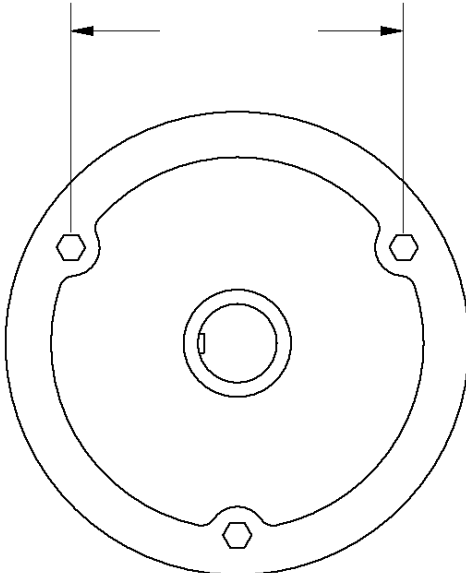
# 2-BOLT

BOLT CENTER DISTANCE



# 3-BOLT

BOLT CENTER DISTANCE



# 4-BOLT

BOLT CENTER DISTANCE

