

SUPERIOR PERFORMANCE & RELIABILITY

SILVER GRAPHITE BRUSHES



helwigcarbon.com



HIGH QUALITY SILVER GRAPHITE BRUSHES

HELWIG CARBON ADVANTAGES:

- **Made in the US**
- **Precision fabrication** in a dedicated production area
- **Unmatched technical expertise**
- **Superior customer service**
- **Fast production and delivery**
- **ISO 9001 Certified**

Helwig Carbon Products manufactures a variety of silver graphite brushes used on sliding electric contact applications. Our silver graphite special grades are **designed to handle the stringent requirements in these critical applications.**

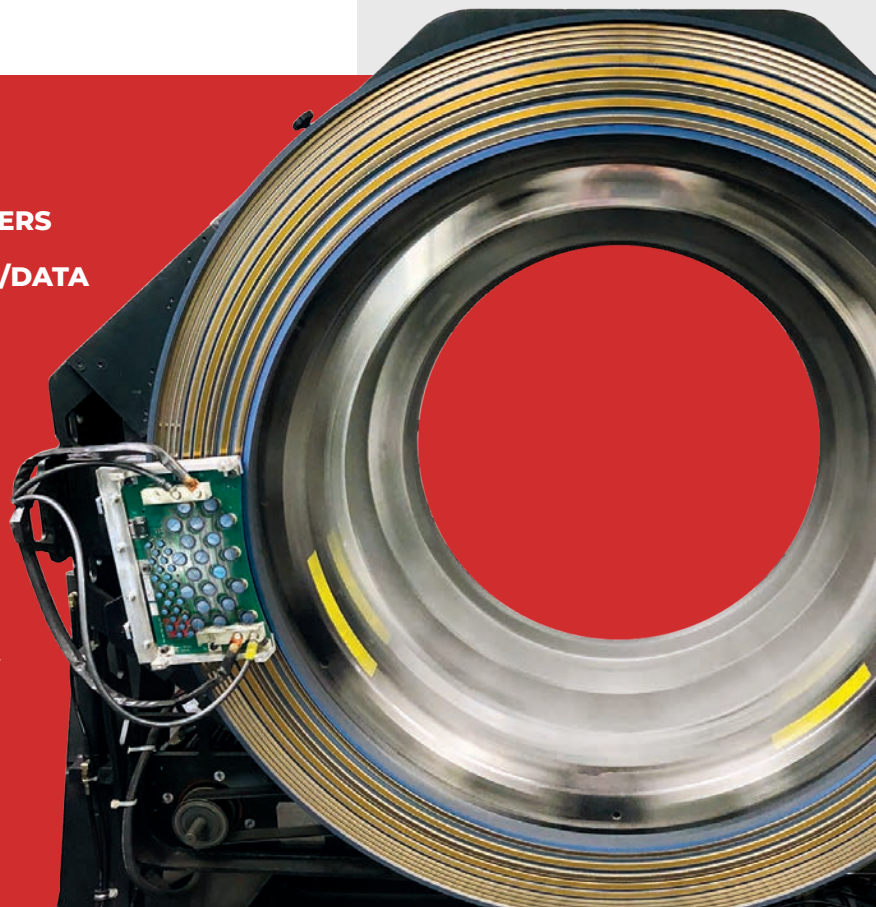


COMMON APPLICATIONS

HELWIG SILVER GRAPHITE BRUSHES ARE USED IN A VARIETY OF APPLICATIONS:



MEDICAL IMAGING EQUIPMENT/CT SCANNERS
SLIP RING APPLICATIONS: POWER/SIGNAL/DATA
MARINE APPLICATIONS
SECURITY IMAGING EQUIPMENT
BEARING PROTECTION KITS
DEFENSE APPLICATIONS
RADAR & ANTENNA SYSTEMS
AEROSPACE SYSTEMS
WIND GENERATORS/RENEWABLE ENERGY
TACHOMETERS

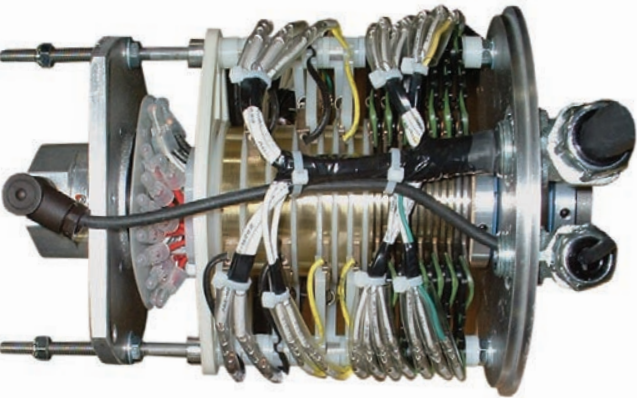


MEDICAL IMAGING

CT SCANNER



Helwig Carbon silver graphite brushes are used for electrical power, signals, and data transmission from stationary to rotating components. These silver graphite grades are engineered and tailored for such voltage sensitive applications. These products are **critical to performance, image resolution and speed.**

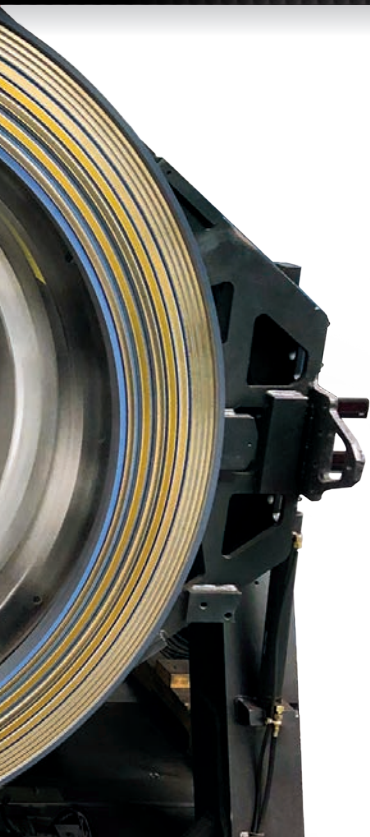


SLIP RING APPLICATIONS



Silver graphite brushes are used for power, data and signal transmission in a wide variety of slip ring applications. Silver graphite provides **high conductivity, good thermal performance, long life, and low wear rate.**

TYPICAL APPLICATIONS



WIND GENERATOR PITCH MOTOR BEARING PROTECTION

Silver graphite brushes are used to conduct induced shaft currents to ground to **protect the pitch motor bearings from premature failure and costly replacement.** Helwig Carbon engineered a special solution for this application that has become OEM approved and installed throughout the world.



**HELWIG
CARBON**
PRODUCTS, INC.

DEFENSE

Helwig Carbon silver graphite brushes are used in aerospace, gun turrets, remotely operated vehicles, and many other sensitive applications.



MARITIME CATHODIC PROTECTION

Silver graphite brushes are typically used to ground ship propeller shafts and oil platforms.

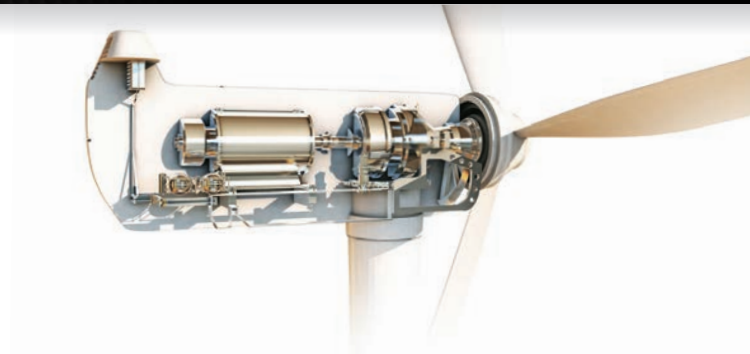
AIRPORT SECURITY

Checked baggage, passenger, and explosives detection systems utilize Helwig Carbon silver graphite brushes for signal and power.



WIND GROUNDING

Silver graphite brushes are used for encoders, signal, power and grounding applications.



ABOUT HELWIG CARBON

Helwig Carbon Products can engineer a brush and holder solution for virtually any sliding electrical contact circuit. In addition to silver graphite brushes, we also manufacture copper graphite and other metallized graphite solutions. Proud to be American-owned for nearly 100 years.



8900 West Tower Avenue • Milwaukee, WI 53224-2849
Toll Free Phone: 800.962.4851 • helwigcarbon.com
Email: carboncrew@helwigcarbon.com

ISO Certified • MADE IN AMERICA



CS 101 2/2019